

Tri-State Enable/Disable 5.0V Oscillator



Model: F5C-2ELF

RoHS Compliant / Pb Free

Rev. 10/24/2011

http://www.foxonline.com/need_a_sample.htm



FEATURES

- 5.0V Operationg
- HCMOS/TTL Output
- Tri-State Enable/Disable
- 14-Pin DIP

OPTIONS

- 8-Pin DIP Available (H5C-2ELF)

• PART NUMBER SELECTION [Learn More](#) - Internet Required

Part Number	Model Number	Frequency Stability ¹	Operating Temperature (°C)	Frequency Range (MHz)
147LF-Freq-xxxxx	F5C-2ELF	±100PPM	0 ~ +70	1.500 ~ 59.000
326LF-Freq-xxxxx	F5C-2ERLF	±100PPM	-40 ~ +85	1.500 ~ 59.000
180LF-Freq-xxxxx	F6C-2ELF	±50PPM	0 ~ +70	1.500 ~ 59.000

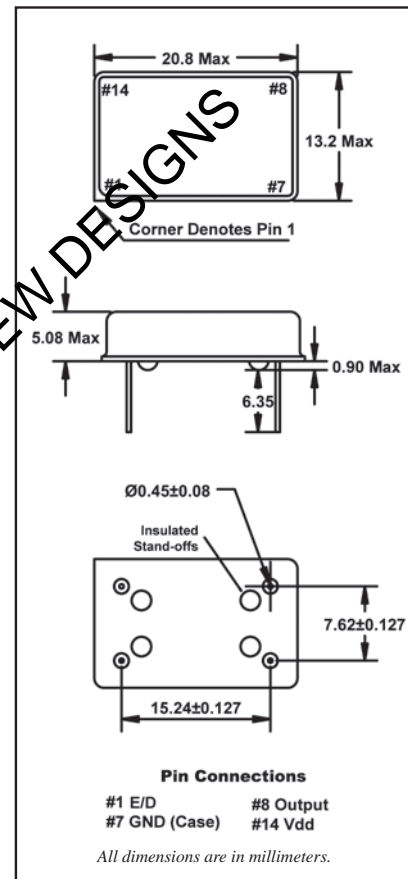
• ELECTRICAL CHARACTERISTICS

PARAMETERS	MAX (unless otherwise noted)
Frequency Range (Fo)	1.500 ~ 59.000 MHz
Storage Temperature Range (TSTG)	-55°C ~ +125°C
Supply Voltage (VDD)	5.0V ± 10%
Input Current (IDD)	
1.500 ~ 40.000 MHz	40mA
40.000+ ~ 59.000 MHz	60mA
Output Symmetry (50% VDD)	
1.500 ~ 50.000 MHz	45% ~ 55%
50.000+ ~ 59.000 MHz	40% ~ 60%
Rise Time (10% ~ 90% VDD) (Tr)	
1.500 ~ 59.000 MHz	10 nS
Fall Time (90% ~ 10% VDD) (Tf)	
1.500 ~ 59.000 MHz	10 nS
Output Voltage (VOL)	10% VDD
(VOH)	90% VDD Min
Output Current (IOL)	16mA Min
(IOH)	-16mA Min
Output Load	
TTL	10TTL
HCMOS	50pF
Start-up Time (Ts)	10mS
Output Enable/Disable Time ²	100nS

¹ Inclusive of 25°C tolerance, operating temperature range, input voltage change, load change, aging, shock, and vibration.

² An internal pullup resistor from pin 1 to VDD allows active output if pin 1 is left open.

All specifications subject to change without notice.



• ENABLE / DISABLE FUNCTION

INH (Pin 1)	OUTPUT (Pin 8)
OPEN ²	ACTIVE
'1' Level VIH ≥ 2.2 V	ACTIVE
'0' Level VIL ≤ 0.8 V	High Z