

Fox Electronics Headquarters  
5570 Enterprise Parkway  
Fort Myers, FL 33905 USA  
Tel: 888-GET-2-FOX  
Outside US: +1.239.693.0099  
Fax: +1.239.693.1554

Fox Electronics EMEA  
14 Banks Road  
Biggleswade, Bedfordshire  
SG18 0DY, United Kingdom  
Tel/Fax: +44.1767.312632

Fox Electronics Asia  
4/F Gold & Silver Commercial Bldg.  
12-18 Mercer St.  
Central, Hong Kong  
Tel: +852.2854.4285  
Fax: +852.2854.4282

Fox Electronics Japan  
3-28-6-1A Yoyogi  
Shibuya-ku, Tokyo 151  
Japan  
Tel: +81.3.3374.2079  
Fax: +81.3.3377.5221

## Product Change Notification

**PCN Publish Date:** 08/02/2007

**PCN#:** 278

**Change Title:** Oscillators Height Change

**Products Affected:** F4400 and F4500 series oscillators

Model Number	Part Number
F4400	521 - Frequency-xxxxx <sup>1</sup>
F4400R	522 - Frequency-xxxxx <sup>1</sup>
F4405	523 - Frequency-xxxxx <sup>1</sup>
F4405R	524 - Frequency-xxxxx <sup>1</sup>
F4406	525 - Frequency-xxxxx <sup>1</sup>
F4406R	526 - Frequency-xxxxx <sup>1</sup>
F4408	527 - Frequency-xxxxx <sup>1</sup>
F4500	528 - Frequency-xxxxx <sup>1</sup>
F4500R	529 - Frequency-xxxxx <sup>1</sup>
F4505	530 - Frequency-xxxxx <sup>1</sup>
F4505R	531 - Frequency-xxxxx <sup>1</sup>
F4506	532 - Frequency-xxxxx <sup>1</sup>
F4506R	533 - Frequency-xxxxx <sup>1</sup>
F4508	534 - Frequency-xxxxx <sup>1</sup>

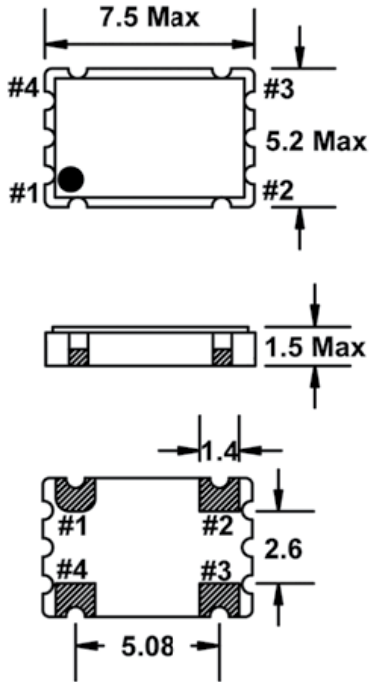
**Description of Change to the Customer:** In order to expand our production capacity to meet market demands, we are changing the standard height for the above oscillators from 1.1mm Max to 1.5mm Max. Dimensional drawings showing the new heights are attached.

*(Product with the original, lower profiles will still be available as a special order. The lower profile package will have to be specified and a unique Fox part number configured for ordering).*

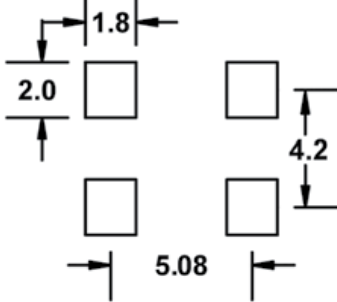
**Schedule of Change:** Change is effective immediately.

**Customer Impact and Response:** We sincerely hope this change will have minimal impact on our customers. If you have any questions, please email Fox Technical Support at [www.foxonline.com/email.htm](http://www.foxonline.com/email.htm) or call 239-693-0099.

**New Height**



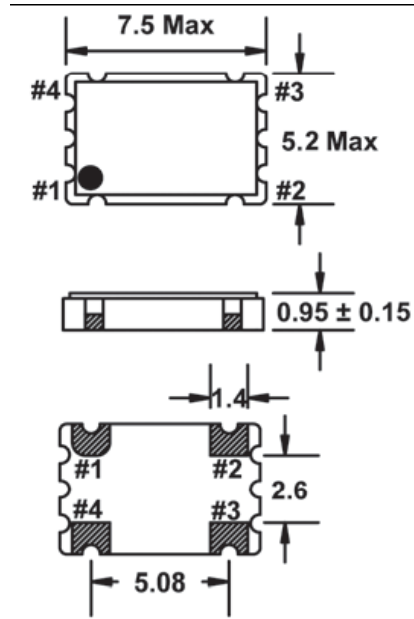
**Recommended Solder Pad Layout**



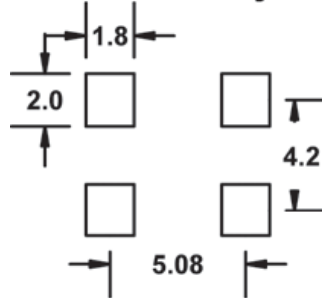
**Pin Connections**

#1 E/D #3 Output  
#2 GND #4 V<sub>DD</sub>

**Old Height**



**Recommended Solder Pad Layout**



**Pin Connections**

#1 E/D #3 Output  
#2 GND #4 V<sub>DD</sub>